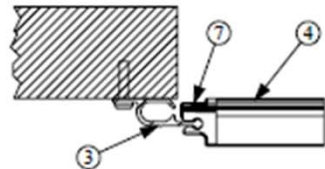
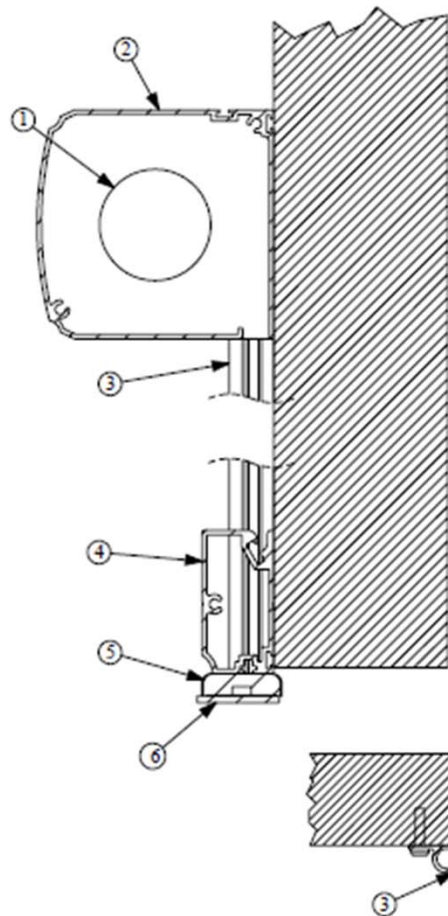
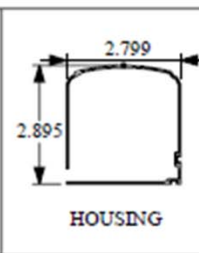
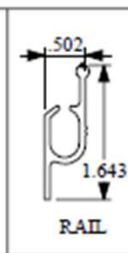
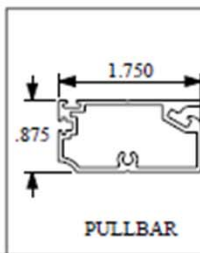
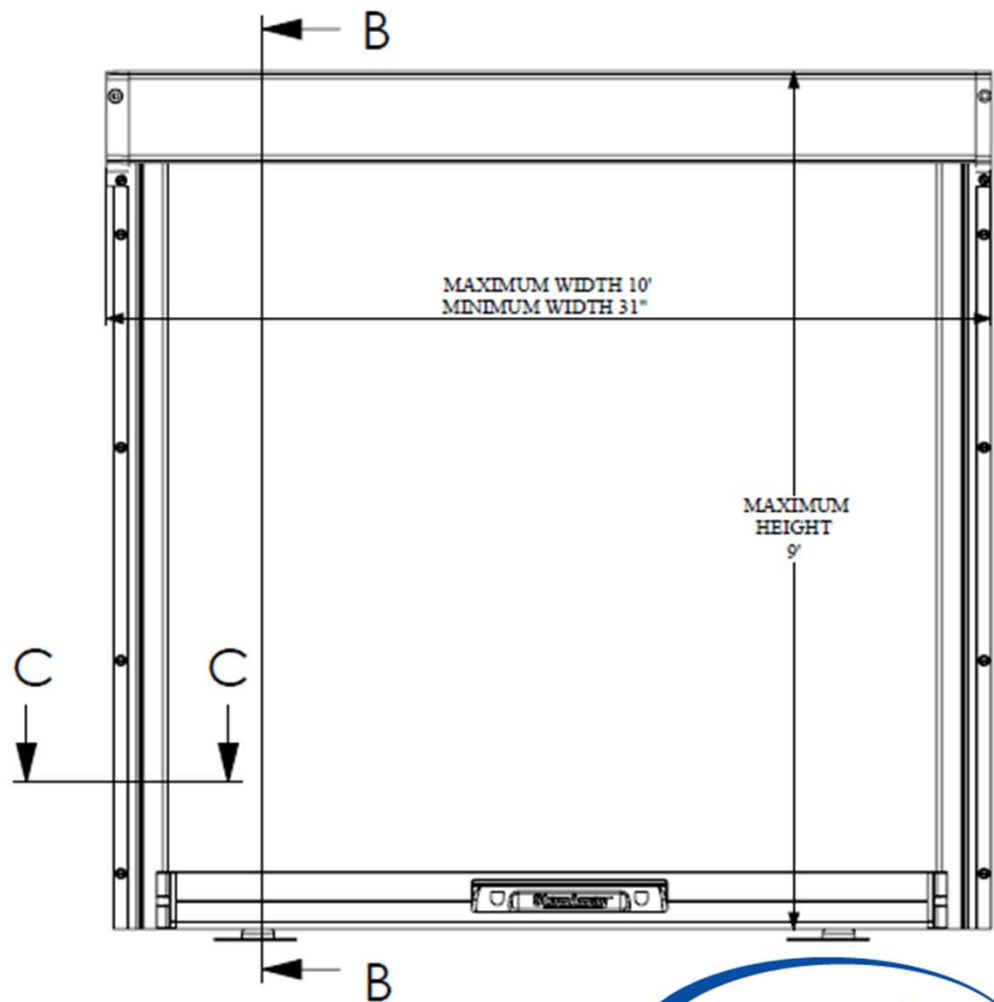


PANORAMALITE FLAT SURFACE MOUNT



SECTION C-C
SCALE 1 : 3

NO.	DESCRIPTION	QTY.
1	Roll Tube	1
2	Housing	1
3	Rail	1
4	Pullbar	1
5	Magnet	2
6	Strike Plate	2
7	Pullbar Cap	1



GetRetracted.com
Retractable Screen Doors

PANORAMALITE SURFACE MOUNT

SIZE: A DWG. NO. REV.
SCALE: 1:30 WEIGHT: SHEET 1 OF 1